



## Speck Pumps – BadustreamII



<u>Part Number</u>	<u>Description</u>	<u>List Price</u>
--------------------	--------------------	-------------------

SS484-2400M-1SW	Two BaduStream II Jets	\$9,265.96
-----------------	------------------------	------------



complete with one Speck Pump Model 21-80/33, 4HP, 208-230 Volts, 19A, 400 GPM @ 14 PSI and control box. The most powerful single pump jet system available providing the recreational swimmer with an intermediate level of exercise

SS484-1400M-1SW	One BaduStream II Jet	\$7,996.40
-----------------	-----------------------	------------

complete with one Speck Pump Model 21-80/33, 4HP, 208-230 Volts, 18.5A, 270 GPM @ 18 PSI and control box. For swimmers who prefer the economy of single jet operation. Minimum of 4" plumbing required

SS484-3400M-1SW	Three BaduStream II Jets	\$16,308.00
-----------------	--------------------------	-------------



combined with two Speck Pump Model 21-80/33, 4HP, 208-230 Volts, 19A (each), 700 GPM @ 15 PSI and control box. The most powerful dual pump jet system available providing maximum resistance for the recreational swimmer.

JS421-5411F-100	BaduJet Imperial Swim System, 2 Jet 4HP	\$14,940.78
-----------------	---	-------------



With Blue Led light, control box  
Wi-Fi enabled

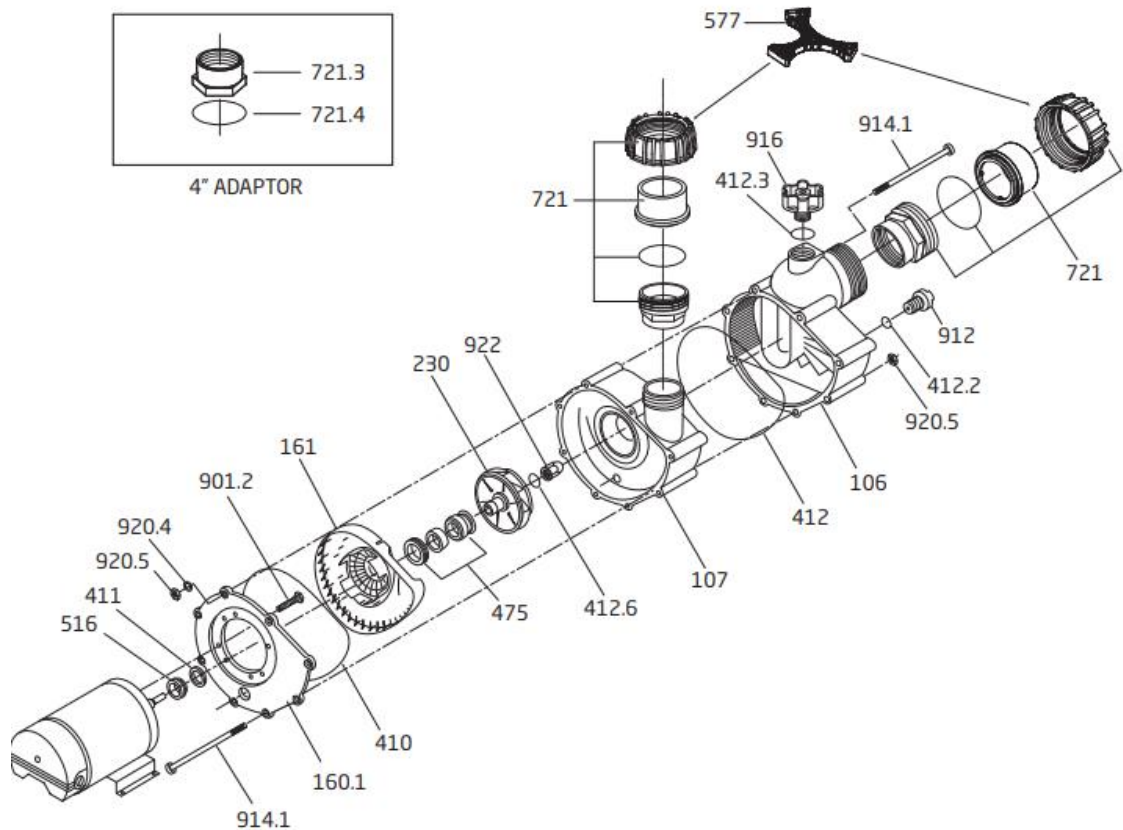
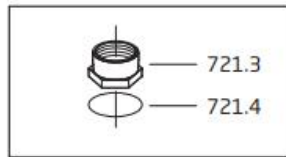
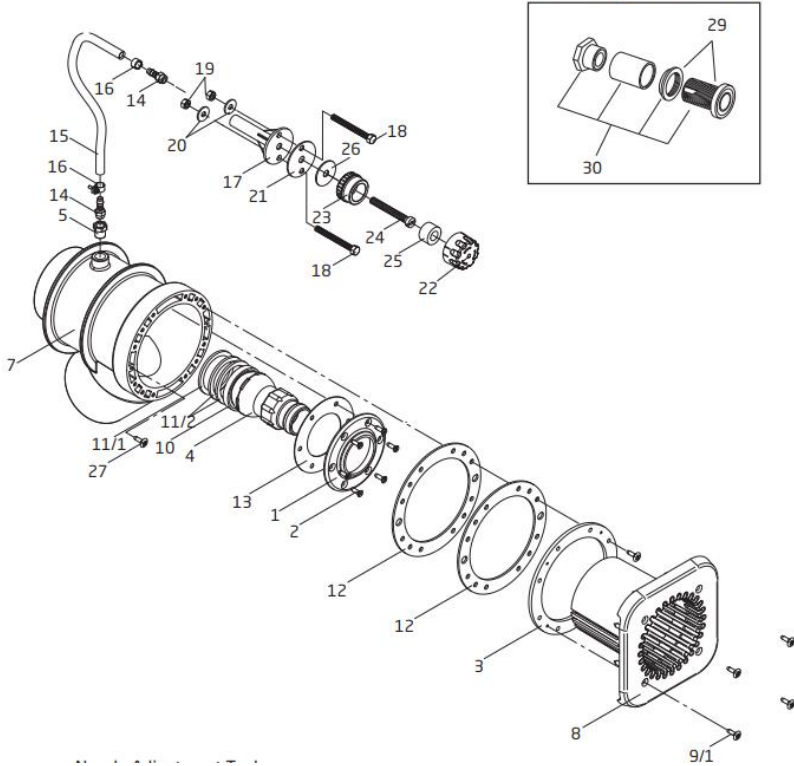
2300003010	MESSAGE HOSE 5' (40MM)	\$335.36
------------	------------------------	----------



# Speck Pumps – Badustream Parts



Air Button (prior to Nov. 2019)





## Speck Pumps - BadustreamII-Jet parts



<u>Part Number</u>	<u>Description</u>	<u>List Price</u>
2301001006	Y-SOCKET	\$12.32
2308002005	COVER PLATE - GUNITE BS	\$20.20
2308752006K	KIT - WINTER COVER - one per jet	\$76.20
2306002009	Drawing #1 FACE RING COVER	\$62.54
5879006020	Drawing#2 Face Ring SCREW K60 X 20mm	\$6.82
2308762004	Drawing#3 CLAMPING RINGS WITH INSERTS	\$50.80
2302002854	Drawing #4 NOZZLE 40MM ADJUSTABLE	\$60.10
2308761001	Drawing#7 HOUSING - BADUSTREAM II	\$340.50
2308750003	Drawing#8 SQUARE COVER - WHITE	\$129.24
2308750003B	Drawing #8 SQUARE COVER - BLACK	\$129.24
2308760004B	Drawing #8 ROUND COVER - BLACK	\$129.24
2308760004G	Drawing #8 ROUND COVER - GREY	\$129.24
5879650625	Drawing#8 SCREW M6 X 25 SS A4	\$4.74
5879650640	Drawing#8 SCREW M6 X 40 A4 PH FLT	\$5.58
2302002056	Drawing#10 SEAT-PLASTIC/POM	\$16.10
2302002057	Drawing #11/1 SPACER RUBBER 6.2mm	\$13.54
2302002157	Drawing #11/2 SPACER RUBBER 4mm	\$8.96
2308750005	Drawing#12 GASKET- 190 MM EPDM	\$34.10
2308750006	Drawing#12 BUTTERFLY GASKET	\$41.30
2306002013	Drawing #13 FACE RING GASKET	\$15.40
2301001005	Drawing#14 SOCKET-HOSE 1/4" PP	\$10.80
2301001007	Drawing#15 HOSE	\$17.06
2301001008	Drawing#16 HOSE CLAMP S14/9 A4 SS	\$11.76
2301001009	Drawing#17 HOLDER-AIR REGULATOR	\$64.24
2301001013	Drawing#21 GASKET	\$4.18
2301002000	Drawing# (22-26) AIR REGULATOR ASSY	\$121.84
2301002021	Drawing#22 AIR REGULATOR TOP-WHITE	\$32.78
2301002029	Drawing#22 AIR REGULATOR TOP - BLACK	\$32.78
2301002022	Drawing#23 AIR REG. BOTTOM - WHITE	\$23.50
2301002028	Drawing#23 AIR REG. BOTTOM - BLACK	\$23.50
7400000026	Drawing#29 AIR BUTTON #10 WHITE	\$80.16



## Speck Pumps – BadustreamII Pump parts



<u>Part Number</u>	<u>Description</u>	<u>List Price</u>
0817370201	MOTOR 4HP SF1.25 56PSC 208-230	\$2,815.96
0818102500	MOTOR 4HP SF1.25 56 230/460 3P	\$2,927.18
2088332025	21-80/33GS 4HP SF1.25 PUMP	\$4,689.20
2902041252	O-RING- FOR 4" PUMP UNION	\$7.58
2920280701	CONTROL BOX BJC-7	\$896.21
2920280712	CONTROL BOX BJC-7-P2	\$1,485.44
2923210620	Drawing#106 SUCTION HOUSING 21-80	\$667.94
2923210722	Drawing#107 DISCHARGE HSNG. 21-80	\$692.00
2923116100	Drawing#161 HOUSING-SEAL 21-80	\$201.24
2923141010	Drawing#410 GASKET-SEAL HOUSING	\$67.84
2923141240	Drawing#411 SHAFT WASHER 14/22	\$2.20
2920343310	Drawing#475 SEAL-MECHANICAL 20mm	\$114.60
2923151601	Drawing#516 V-RING 18MM	\$19.80
2500200900	Drawing #721 ½ UNION PKG	\$246.52
2923190120	Drawing#901.2 SCREW	\$3.80
2923591200	Drawing#912 PLUG 1/4" 21-80 GS & BS	\$12.00
2922091600	Drawing#916 FILLER PLUG RED 3/4"	\$40.56
2923116010	Drawing#160.1 ALUMINUM FLANGE	\$350.56
2923223013	Drawing#230.6 IMPELLER 3HP SF 1.15	\$173.20
2923223014	Drawing#230.7 IMPELLER 4HP SF 1.25	\$173.20
2923223035	Drawing#230.8 IMPELLER 6 HP SF 1.0	\$173.20
2923541220	Drawing#412.2 O-RING- 12 x 2.5 mm	\$1.48
2923241231	Drawing#412.3 O-RING- 24 x 3.5 mm	\$1.88
2923541229	Drawing#412.6 O-RING 16.9 x 2.75 VITON	\$10.30
2500223433	Drawing#721.3 ADAPTOR- 2-3/4 x 3" NPT 4"OD unique to 21-80/GS prior to March 2008	\$177.36
2923241200	Drawing#912 O-RING- 210 x 4 mm	\$13.84
2923291000	Drawing#914.1 BOLT M6 X 170MM SS	\$35.44
2991400024	Drawing#920.4 WASHER-FLAT 1/4" USS	\$0.99
2923592200	Drawing#922 IMPELLER NUT-M12 CAP	\$33.34