




## Multiport Valve Cross Reference

	Tank	Style	OEM#	Atlantis #
<b>Sta-Rite</b>  	Cristal-Flo	clamp on	WC112-148 A	TM-12-L
	Panterra	8-bolt flange	14962-0105	TM-12-E
	Panterra		24201-P17, 24203-P20, 24204-P24	TM-12-L
	Sable		24201-S075,S100, 24203-S075,S100,S150	TM-12-L
	Waterford sys.	clamp on	JSAL-01/03	TM-12-L
			JSAL-02-04	TM-12-L
	Panterra 24204-P24		14971-TM22L	TM-22-L
	S8D110, S7D75, S7S50	side mount	WC212-150PN	SM2-SR2
	S8S70 (systems 3 DE, sand)	side mount	WC212-144P, WC212-138B	SM2-SR2
	HRPB (sand filter) S7MD60, S7MD72 (systems 3 DE), PLDE36,PLDE46(DE)	Side Mount	18201-300	SM2-SR3U
<b>Waterco</b>	T450, 500, 600	thread on 12 bolts bolt on		TM-12-PB TM-22-LA
<b>W.Cooper</b>	Rangers series also private label	clamp on clamp on		TM-12-L TM-22-L
<b>American</b>	22" Eclipse, Meteor	clamp on	501131	TM-12-S
	26", 30" ECLIPSE	clamp on	501130	TM-12-S8
	30" ECLIPSE	clamp on	501231	TM-22-S8
<b>Poolco</b>		8 bolts bolt on clamp on		TM-12-E TM-12-L
<b>Baker Hydro</b>	W3 909, 910, 922 Baker II	screw on clamp on	30B0056	TM-12-B TM-12-9BH

## Multiport Valve-Side Mount



<u>Part Number</u>	<u>Description</u>	<u>List Price</u>
SM-10-2	1 1/2" PIPING VAR. 2 (FIP)	\$97.20
SM-10-3	1 1/2" PIPING VAR. 3(FIP)	\$97.20
SM-10-A0	1 1/2" ALL PORTS OPEN 1.5" FIP	\$102.27
SM-10-AOS	1 1/2" ALL PORTS OPEN (SOCKET)	\$97.20
SM1-HP2	SM-10-2 w HAYWARD PLUMBING (5" CENTER) 1.5" FIP	\$133.38
SM1-HP3	SM-10-3 w HAYWARD PLUMBING (5" CENTER) 1.5" FIP	\$133.38
SM1-HPX62	SM-10-3 w HAYWARD PLUMBING F.PRO SERIES (6" CENTER) 1.5" FIP	\$133.38
SM1-PP2	SM-10-2 w PAC FAB PLUMBING 1.5" FIP	\$133.38
SM1-PP21	SM-10-2 w PAC FAB PLUMBING 1/5" FIP-FNS 4800	\$133.38
SM1-PP3	SM-10-3 w PAC FAB PLUMBING 1.5" FIP	\$142.28
SM-20-2	2" PIPING VAR. 2 (FIP)	\$124.49
SM-20-3	2" PIPING VAR. 3 (FIP)	\$124.49
SM-20-AO	2" ALL PORTS OPEN 2" FIP	\$128.94
SM-20-AOS	2" ALL PORTS OPEN (SOCKET)	\$128.94
SM2-HP3	SM-20-3 w HAYWARD PLUMBING (5" CENTER) 2" FIP	\$191.19
SM2-HPX62	SM-20-3 w HAYWARD PLUMBING (5" CENTER) 2" FIP PRO SERIES 6" CNTR	\$191.19
SM2-HPXR50	SM-20-2 w HAYWARD PLUMBING (5" CENTER) 2" FIP	\$191.19
SM2-HPXR50S	SM-20-2 w HAYWARD PLUMBING (5" CENTER) 2" SKT	\$191.19
SM2-PP2	SM-20-2 w PAC FAB PLUMBING 2" FIP	\$191.19
SM2-PP3	SM-20-3 w PAC FAB PLUMBING 2" FIP	\$191.19
SM2-SR2	SM-20-2 w STA-RITE PLUMBING - 2" FIP BLACK	\$191.19
SM2-SR3U	SM-20-3 w STA RITE PLUMBING 2"FIP BLACK (DE)	\$266.87
SM2-WETAN	SM-20-2 w ANTHONY PLUMBING + UNIONS FIP	\$280.11
SM-30-AOB	3 inch ALL PORTS OPEN-Black 3 inch SLIP ONLY	\$978.12
UNK-1HAY	1 1/2" SPIGOT HALF UNION c/w O-RING	\$24.90
UNK-1TRITON	1 1/2" SPIGOT HALF UNION c/w O-RING	\$24.90
UNK-2HAY	2" SPIGOT HALF UNION c/w O-RING	\$24.90
UNK-2SR	2" SPIGOT HALF UNION c/w O-RING MACHINED 2"	\$27.36
UNK-2TRITON	2" SPIGOT HALF UNION c/w O-RING	\$24.90

See Cross-Reference on pages 38 & 39



## Multiport Valve-Side Mount



See Cross-Reference on pages 38 & 39



## Actuated Multiport Valves

## Actuated Multiport Valves

<u>Part Number</u>	<u>Description</u>	<u>List Price</u>
AC6-SM10AO	AUTO BW VALVE AQUASTAR C6000 ON SM10-AO FPT	\$2,578.68
AC6-SM1PP2	AUTO BW VALVE AQUASTAR C6000 ON SM1-PP2 (FPT)	\$2,623.14
AC6-SM1PP3	AUTO BW VALVE AQUASTAR C6000 ON SM1-PP3 (FPT)	\$2,623.14
AC6-SM1PP3S	AUTO BW VALVE AQUASTAR C6000 ON SM1-PP3 (SLIP)	\$2,623.14
AC6-SM20AO	AUTO BW VALVE AQUASTAR C6000 ON SM20-AO FPT	\$2,578.68
AC6-SM2PP2	AUTO BW VALVE AQUASTAR C6000 ON SM2-PP2 (FPT)	\$2,623.14
AC6-SM2PP3	AUTO BW VALVE AQUASTAR C6000 ON SM2-PP3 (FPT)	\$2,623.14
AC6-SM2PP3S	AUTO BW VALVE AQUASTAR C6000 ON SMW-PP3 (SLIP)	\$2,623.14
AC6-SM2SR2	AUTO BW VALVE AQUASTAR C6000 ON SM2-SR2 (FPT)	\$2,623.14
AC6-SM30AO	AUTO BW VALVE AQUASTAR C6000 ON SM-30AO (SLIP)	\$3,998.85
ASP-MP1	1 1/2" 24 VAC PLC MULTIPOSITION SM-10-AO	\$1,998.77
ASP-MP2	2" 24 VAC PLC MULTIPOSITION SM-20-AO	\$1,998.77
ASP-MP3	3 inch 24 VAC PLC MULTIPOSITION SM-30-AO	\$3,290.04

See Cross-Reference on pages 38 & 39

See Cross-Reference on pages 38 & 39



## Multiport Valve-Top Mount



See Cross-Reference on pages 38 & 39



<u>Part Number</u>	<u>Description</u>	<u>List Price</u>
12L-CLP	TOP MOUNTED L STYLE FLANGE INCLUDING HARDWARE	\$15.91
39251217	6 POS. Multiport Valve 2"	\$160.06
TM-12-9BH	1 1/2" w 9" CLAMP FLANGE	\$115.60
TM-12-A	1 1/2" w 6" UNC THREAD	\$115.60
TM-12-B	1 1/2" w 6" BUTTRESS THREAD	\$115.60
TM-12-CFC	1 1/2" w 6.5" CLAMP FLANGE	\$115.60
TM-12-E	1 1/2" w BOLT DOWN 8 BOLTS	\$115.60
TM-12-H8	1 1/2" w 8" CLAMP FLANGE	\$115.60
TM-12-JL	1 1/2" w 6 BOLT DOWN LASER FILTER	\$115.60
TM-12-L	1 1/2" w 8.25" CLAMP FLANGE	\$115.60
TM-12-PB	1 1/2" w 5.98" BUTTRESS THREAD	\$115.60
TM-12-S	1 1/2" w CLAMP DOWN 7.5" CLAMP FLANGE	\$115.60
TM-12-S8	1 1/2" w CLAMP DOWN 8.22" CLAMP FLANGE	\$115.60
TM-22-E	2" w BOLT DOWN 8 BOLTS	\$160.06
TM-22-H8	2" w 8" CLAMP FLANGE	\$160.06
TM-22-JAC	2" w 7 1/16" BUTTRESS THREAD	\$160.06
TM-22-L	2" w 8.22" CLAMP FLANGE	\$160.06
TM-22-PA	2" w 8.22" CLAMP FLANGE	\$160.06
TM-22-PB	2" w 8.22" CLAMP FLANGE	\$160.06
AC6-TM12H8	AUTO BW VALVE AQUASTAR C6000 ON TM12-H8	\$2,396.50
AC6-TM12L	AUTO BW VALVE AQUASTAR C6000 ON TM12-L	\$2,396.50
AC6-TM12PB	AUTO BW VALVE AQUASTAR C6000 ON TM12-PB	\$2,396.50
AC6-TM22H8	AUTO BW VALVE AQUASTAR C6000 ON TM22-H8	\$2,489.76
AC6-TM22L	AUTO BW VALVE AQUASTAR C6000 ON TM22-L	\$2,489.76
AC6-TM22PB	AUTO BW VALVE AQUASTAR C6000 ON TM22-PB	\$2,489.76

## Multiport Valve-Top Mount

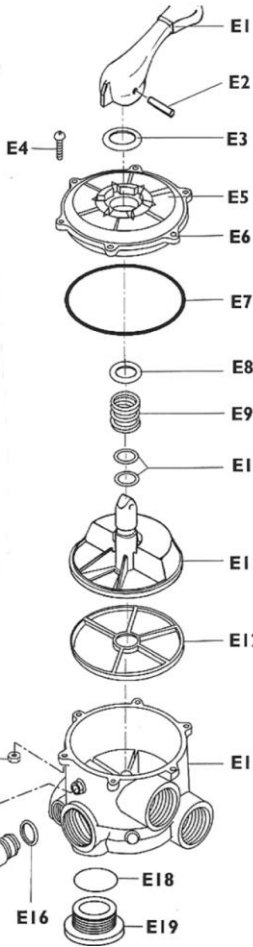


See Cross-Reference on pages 38 & 39

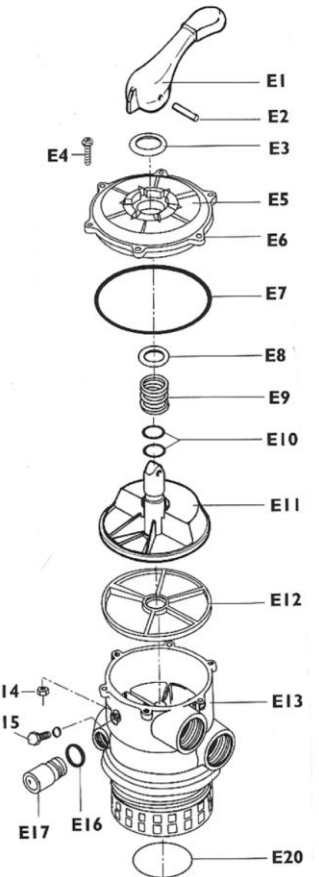


# Multiport Valve-Top & Sidemount Parts

Side Mount  
Multiport Valve



Top Mount  
Multiport Valve

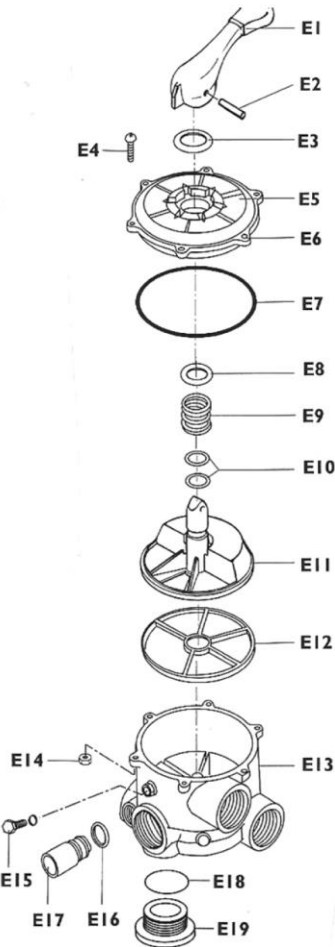


<u>Part Number</u>	<u>Description</u>	<u>List Price</u>
TM-12-KIT	Gasket and washer rebuild kit for TM-12 1-1/2" Multiport Valves	\$39.80
TM-22-KIT	Gasket and washer rebuild kit for TM-22 or SM-22 2" Multiport Valves	\$39.80
E-1-S1	HANDLE ABS BLACK FOR 1 1/2" & 2"	\$5.64
E-1-S3	HANDLE ABS BLACK FOR 3"	\$59.17
E-2-S1	PIN (SS 304) FOR 1 1/2" & 2"	\$2.26
E-2-S3	PIN (SS 304) FOR 3 inch	\$8.55
E-3-S1	WASHER (POM) FOR 1 1/2" & 2"	\$1.64
14426407	E3 Washer Competition	\$1.71
E-3-S3	WASHER (POM) FOR 3 inch	\$8.55
E-4-S1	SCREW M6 (SS 304) FOR ALL	\$0.60
E-5-S1	DECAL FOR 1 1/2" Side Mount	\$5.13
E-5-S2	DECAL FOR 2" Side Mount	\$5.13
E-5-S3	DECAL FOR 3 inch	\$23.94
E-5-T1	DECAL FOR 1 1/2" Top Mount	\$5.13
E-5-T2	DECAL FOR 2" Top Mount	\$5.13
E-6-S1	COVER ABS (WHITE) FOR 1 1/2"	\$10.26
E6-S1B	COVER ABS (BLACK) FOR 1 1/2"	\$10.26
E-6-S2	COVER ABS (WHITE) FOR 2"	\$15.39
E-6-S2B	COVER ABS (BLACK) FOR 2"	\$15.39
E-6-S3	COVER ABS (WHITE) FOR 3 inch	\$171.00
E-7-S1	#252 O-RING - COVER OF 1 1/2"	\$2.74
E-7-S2	#172X4 O-RING - COVER OF 2"	\$3.28
E-7-S3	#250X6 O-RING - COVER OF 3 inch	\$23.94
E-8-S1	WASHER (POM) FOR 1 1/2" & 2"	\$1.64
E-8-S3	WASHER (POM) FOR 3 inch	\$8.55
14426407R	Nylon Washer for 2" Multiport valve Competition	\$1.71
14426605	E-8 Washer Nylon for Multiport Valve	\$1.71
E-9-S1	SPRING (SS 304) FOR 1 1/2" & 2"	\$7.61
E-9-S3	SPRING (SS 304) FOR 3 inch	\$41.30
16109209	Spring for 1.5" or 2" Multiport Dial Valve - Competition	\$7.70
E-10-S1	#212 O-RING FOR DIVERTER ON 1 1/2" & 2"	\$1.41
E-10-S3	#215 O-RING FOR DIVERTER ON 3 inch	\$23.67
E-11-S1	DIVERTER (NORYL) FOR 1 1/2"	\$13.68
E-11-S2	DIVERTER (NORYL) FOR 2"	\$15.39
E-11-S3	DIVERTER (NORYL) FOR 3 inch	\$168.44
E-12-S1	SPIDER GASKET FOR 1 1/2"	\$5.81
E-12-S2	SPIDER GASKET FOR 2"	\$6.98
E-12-S3	SPIDER GASKET FOR 3 inch	\$59.24
13107404	2" Spider Gasket for multiport valve	\$7.70

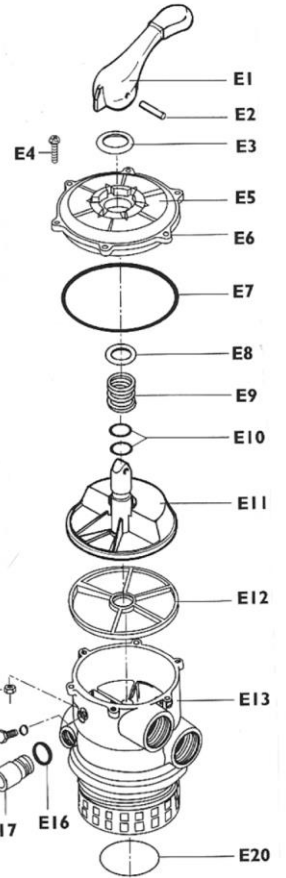


# Multiport Valve-Top & Sidemount Parts

## Side Mount Multiport Valve



## Top Mount Multiport Valve



	<u>Part Number</u>	<u>Description</u>	<u>List Price</u>
	13130505	Star gasket Kraton for 1.5" Dial valve - Competition	\$5.99
	E-13-S1	VALVE BODY 1 1/2" NPT (SM-10-AO)	\$30.78
	E-13-S2	VALVE BODY 2" NPT (SM-20-AO IN WHITE)	\$44.46
	E-13-S2B	VALVE BODY 2" NPT (SM-20-AO IN BLACK)	\$44.46
	E-13-S3	VALVE BODY 3 inch SKT (SM-30-AO IN WHITE)	\$353.97
	E-14-S1	NUT M6 (SS 304)	\$0.43
	E-15-S1	1/4" ABS PLUG (WHITE)	\$0.86
	E-16-S1	SIGHT GLASS GASKET	\$0.94
	E-17-S1	SIGHT GLASS (LEXAN)	\$2.63
	E-18-S1	O-RING FOR 1 1/2" AO threaded plug	\$0.60
	E-18-S2	O-RING FOR 2" AO threaded plug	\$0.64
	E-18-T1744	#1744 (1/4" THICK) square flange gasket	\$5.30
	E-18-T439	#439 (1/8" THICK) square flange gasket	\$5.30
	E-18-256	#256 O-RING TM-12-A & TM-12-B	\$4.45
	E-18-442	#442 O-RING TM-12-L AND TM-22-L	\$4.45
	E-19-S1	AO threaded plug-white 1 1/2"	\$3.63
	E-19-S2	AO threaded plug-white 2"	\$4.52
	E-19-S2B	AO threaded plug-black 2"	\$4.52
	E-19-S2SB	AO spigot plug-black 2"	\$4.52
	E-19-S3	AO spigot plug-white 3"	\$14.83
	E-20-T1	#225 O-RING FOR STANDPIPE ON 1 1/2"	\$0.82
	E-20-T2	#229 O-RING FOR STANDPIPE ON 2"	\$0.94
	E-50-S1	KEY Assy. IN WHITE FOR 1 1/2"	\$59.85
	E-50-S1B	KEY Assy. IN BLACK FOR 1 1/2"	\$59.85
	E-50-S2	KEY Assy. IN WHITE FOR 2"	\$68.40
	E-50-S2B	KEY Assy. IN BLACK FOR 2"	\$68.40
	E-50-S3	KEY Assy. IN WHITE FOR 3 inch	\$547.20
	E-55-S1HP2	BODY Assy. FOR SM1-HP2 IN WHITE	\$70.54
	E-55-S1HP3	BODY Assy. FOR SM1-HP3 IN WHITE	\$70.54
	E-55-S1PP2	BODY Assy. FOR SM1-PP2 IN WHITE	\$70.54
	E-55-S1PP3	BODY Assy. FOR SM1-PP3 IN WHITE	\$70.54
	E-55-S2PP2	BODY Assy. FOR SM2-PP2 IN WHITE	\$88.92
	E-55-S2PP3	BODY Assy. FOR SM2-PP3 IN WHITE	\$88.92
	E-55-SR2	BODY Assy. FOR SM2-SR2 IN BLACK	\$88.92
	E-55-T12A	BODY Assy. FOR TM-12-A - WHITE	\$59.00
	E-55-T12B	BODY Assy. FOR TM-12-B - BLACK	\$59.00
	E-55-T12BH9	BODY Assy. FOR TM-12-BH9 - BLACK	\$59.00
	E-55-T12CFC	BODY Assy. TM-12-CFC - BLACK	\$59.00
	E-55-T12E	BODY Assy. FOR TM-12-E - BLACK	\$59.00
	E-55-T12H8	BODY Assy. FOR TM-12-H8 - BLACK	\$59.00
	E-55-T12L	BODY Assy. FOR TM-12-L - BLACK	\$59.00

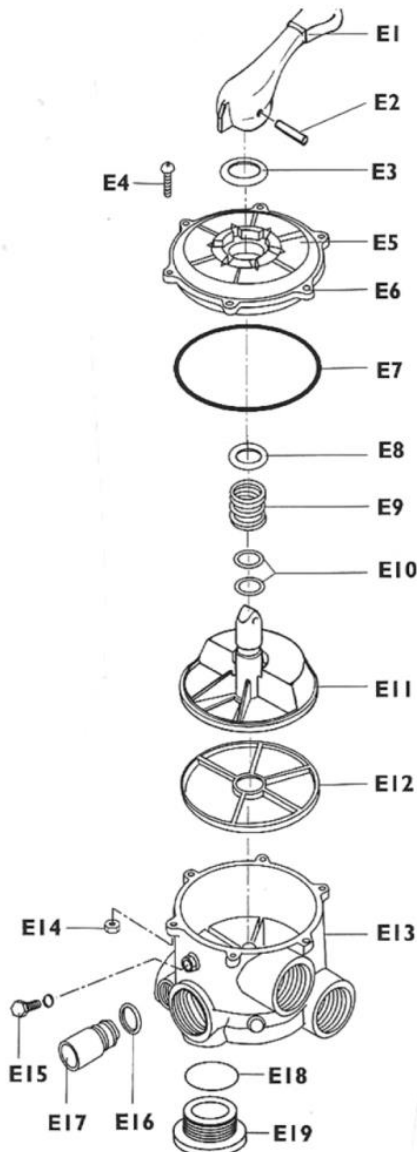


# Multiport Valve-Top & Sidemount Parts



<u>Part Number</u>	<u>Description</u>	<u>List Price</u>
E-55-T12P8	BODY Assy. FOR TM-12-P8 - BLACK	\$59.00
E-55-T12S	BODY Assy. FOR TM-12-S - BLACK	\$59.00
E-55-T12S8	BODY Assy. FOR TM-12-S8 - BLACK	\$59.00
E-55-T22E	BODY Assy. TM-22-E - BLACK	\$83.79
E-55-T22JAC	BODY Assy. TM-22-JAC - BLACK	\$83.79
E-55-T22L	BODY Assy. TM-22-L - BLACK	\$83.79
E-55-T22PA	BADY Assy. TM-22-PA - BLACK	\$83.79
E-55-T22PB	BODY Assy. TM-22-PB - BLACK	\$83.79

Side Mount  
Multiport Valve



Top Mount  
Multiport Valve

